

KARIBAN

REFERENCE : K732

SIZES : 34_36_38_40_42_44_46

COMPOSITION :

Main fabric : Polyester / Viscose / Elastane woven 64/34/2 -
220 64%polyester / 34%viscose / 2%elastane

Lining : Stretch polyester lining - 66 For front, back, underfly
For binding belt 100%polyester

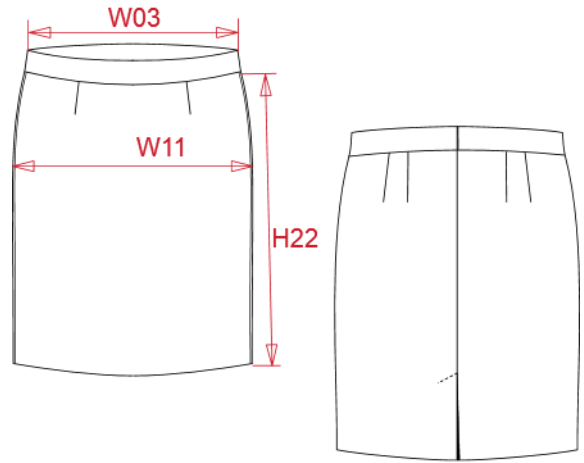
WEIGHT :

Main fabric : 220 gsm

Lining : 66 gsm

ARTICLE WEIGHT :

225 gr/pc



DESCRIPTION	
Français :	Jupe droite
English :	Pencil skirt
Nederlands :	Kokerrok
Deutsch :	Gerade geschnittener Rock
Español :	Falda Tubo
Italiano :	Gonna dritta
Português :	Saia direita

COLORS	PANTONE SERIGRAPHIE
Black	Black
Navy	433C
Anthracite heather	Based on 447C

MEASUREMENT							
Description	34	36	38	40	42	44	46
W03 (L)* 1/2 largeur haut de taille / 1/2 top of waist width	35	37	39	41	43	45	47
W11 (L)* 1/2 bassin / 1/2 hip width	45	47	49	51	53	55	57
H22 (L)* Longueur côté sous ceinture / Side length under waistband	53	54	55	56	57	58	59

CARE LABEL				

PACKING	
Box	20 pcs / box 34 => L:60cm W:40cm H:20cm GW:6,52kg NW:5,52kg 36 => L:60cm W:40cm H:20cm GW:3,82kg NW:2,82kg 38 => L:60cm W:40cm H:20cm GW:3,88kg NW:2,88kg 40 => L:60cm W:40cm H:20cm GW:4,06kg NW:3,06kg 42 => L:60cm W:40cm H:20cm GW:4,10kg NW:3,10kg 44 => L:60cm W:40cm H:20cm GW:4,14kg NW:3,14kg 46 => L:60cm W:40cm H:20cm GW:4,30kg NW:3,30kg