



85% organic cotton and 15% post-consumer recycled polyester Fleece material Combed cotton 3-ply LSF (Low Shrinkage Fleece: pre-shrunk fleece) fabric Lined with recycled materials (cotton and polyester) Double zip fastening Lined with inner zipped pocket and zip for decoration access in recycled nylon Zip opening made of reinforced metal Reinforced handles

350 g/m<sup>2</sup>

Sizes

One Size

More information

Logistic

1 30

Country of origin

BD - Bangladesh

Customs code

42029298

Washing instructions

Colours

Almond Green  
 Black  
 Hibiscus Red  
 Iron Grey  
 Ivory  
 Mineral Grey  
 Navy Blue

Certifications



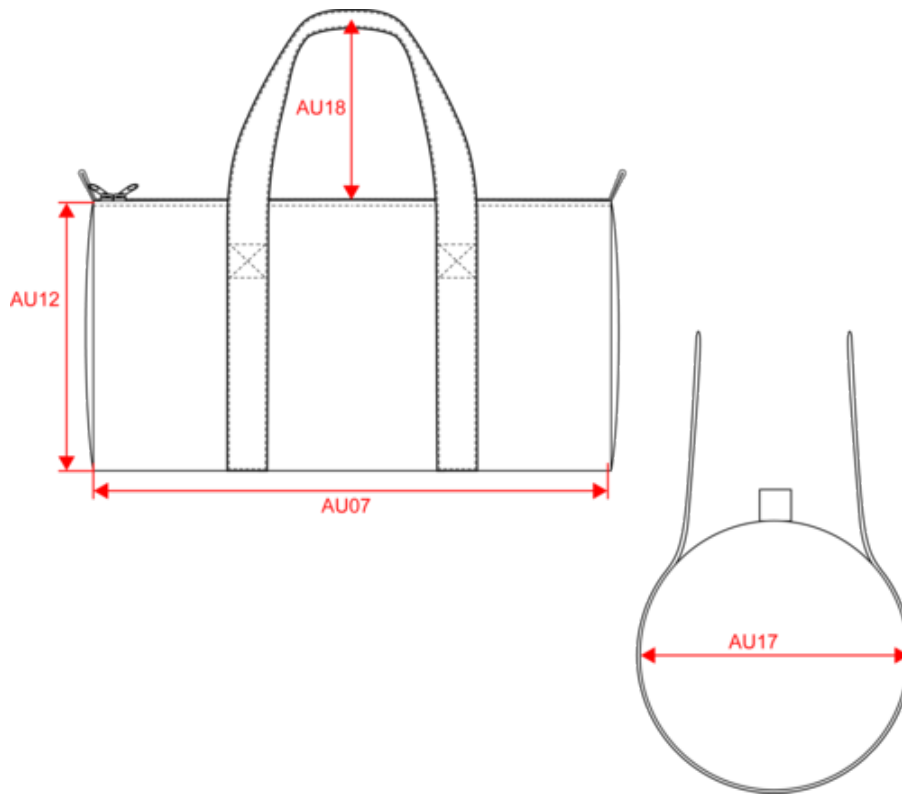
Made with 67% Organic materials.  
Certified by EcoCert Greenfile.  
EGL N°165651 / NATIVE SPIRIT



Made with 33% recycled materials.  
Certified by EcoCert Greenfile in accordance  
with the PCS standard available at  
<https://reelbechange.org/>  
EGL N°165651 / NATIVE SPIRIT

**NS106**  
Fleece duffel bag

Dimensions (cm)



Measurements in cm	One size
AU07 - Total width	50.00
AU12 - Total height	25.00
AU17 - Total depth	25.00

# NS106

## Fleece duffel bag

### Colours information



**Almond Green**  
 RVB : 140,143,129  
 Pantone C : 416C  
 Pantone TCX : 16-6008TCX



**Black**  
 RVB : 35,35,37  
 Pantone C : Black  
 Pantone TCX : 19-4004TCX



**Hibiscus Red**  
 RVB : 134,27,47  
 Pantone C : 1815C  
 Pantone TCX : 19-1656TCX



**Iron Grey**  
 RVB : 78,80,82  
 Pantone C : 446C  
 Pantone TCX : 19-3901TCX



**Ivory**  
 RVB : 236,231,218  
 Pantone C : 7534C  
 Pantone TCX : 11-0701TCX



**Mineral Grey**  
 RVB : 94,104,116  
 Pantone C : 431C  
 Pantone TCX : 18-4215TCX



**Navy Blue**  
 RVB : 41,45,57  
 Pantone C : 433C  
 Pantone TCX : 19-4010TCX

### Logistic



1



30

Sizes	Width (cm)	Height (cm)	Length (cm)	Net weight (kg)	Gross weight (kg)	Pieces/Box	Pieces/Bundle
One Size	40.00	0.00	60.00	0.00000	0.00000	30	1