



100% organic cotton Unisex Product washed after assembly for a faded appearance. This manufacturing process results in colour variations between products and makes each piece unique. 7 overstitches on the turn-up Head circumference S/M: 56 cm; L/XL: 58 cm

 280 g/m<sup>2</sup> 

Sizes



More information

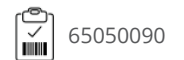
Logistic



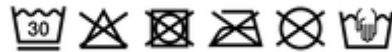
Country of origin



Customs code



Washing instructions



Colours

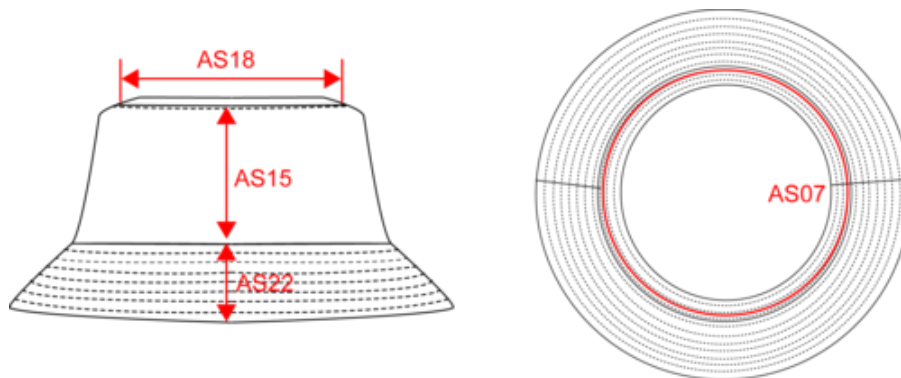


Certifications



**NS020**  
Unisex eco-friendly faded bucket hat

**Dimensions (cm)**



Measurements in cm	S/M	L/XL
AS07 - Total circumference	56.00	58.00
AS15 - Front hat crown height	8.50	8.50
AS18 - Upper part width from front to back	16.00	16.50
AS22 - Brim width	5.70	5.70

**NS020**  
Unisex eco-friendly faded bucket hat

**Colours information**



**Washed Almond Green**

RVB : 137,142,125  
Pantone C : 416C  
Pantone TCX : 16-6008TCX



**Washed Aquamarine**

RVB : 147,168,187  
Pantone C : 7542C  
Pantone TCX : 15-4008TCX



**Washed black**

RVB : 43,39,42  
Pantone C : Neutral Black  
Pantone TCX : 19-4008TCX



**Washed Navy Blue**

RVB : 54,61,75  
Pantone C : 432C  
Pantone TCX : 19-4023TCX



**Washed Organic Khaki**

RVB : 85,89,77  
Pantone C : 418C  
Pantone TCX : 19-0312TCX



**Washed Petal Rose**

RVB : 192,150,147  
Pantone C : 7612C  
Pantone TCX : 15-1607TCX

**Logistic**



25



100

Sizes	Width (cm)	Height (cm)	Length (cm)	Net weight (kg)	Gross weight (kg)	Pieces/Box	Pieces/Bundle
S/M	40.00	40.00	60.00	7.80000	9.80000	100	0
L/XL	40.00	40.00	60.00	8.00000	10.00000	100	0