

REFERENCE : KI0908

SIZES : U

COMPOSITION :

Main fabric : Polyester Ripstop 600D PVC backing

100%polyester

Lining : Polyester 210D PU backing As internal lining

100%polyester

Mesh : Polyester puffy mesh On back side of shoulder straps +

back side of shoulder pad. 100%polyester

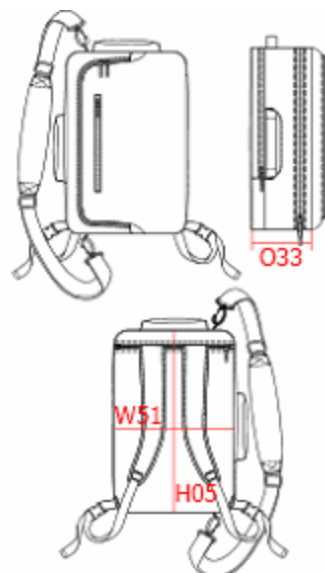
Padding : special PAD for shoulder & shoulder straps of backpacks On inside of back panel + 1 lateral panel + shoulder belt + shoulder pad + handles.

FABRIC CONSTRUCTION AND FINISHING :

Polyester Ripstop 600D PVC backing

ARTICLE WEIGHT :

1000 gr/pc



DESCRIPTION		COLORS	PANTONE SERIGRAPHIE
Français : Sac de voyage multifonction English : Multifunction travel bag Nederlands : Multifunction travel bag Deutsch : Reisetasche Español : Bolsa de viaje multifunción Italiano : Borsa da viaggio multifunzione Português : Saco de viagem		Black	Black
MEASUREMENT			
Description	U		
H05 Hauteur totale / Total height	53		
W51 Total width	35		
O33 Deep of bottom part	18		
PACKING			
Box	10 pcs / box U => L:67cm W:41cm H:40cm GW:11kg NW:10kg		