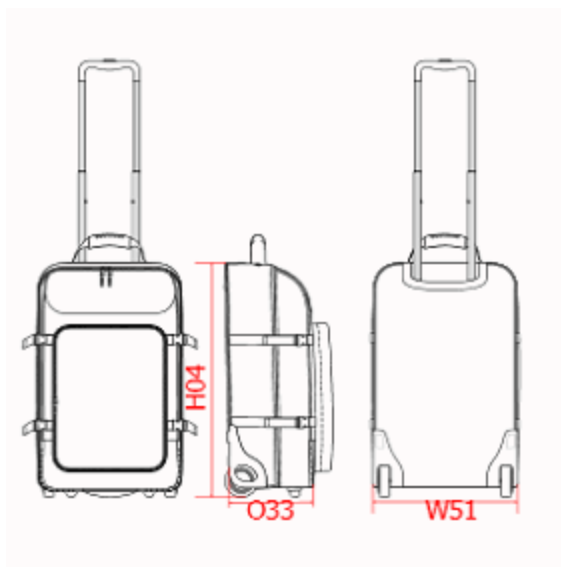


**REFERENCE :** KI0809

**SIZES :** U

**COMPOSITION :**

Main fabric : Polyester Twisted 600D HD PU backing  
100%polyester  
Main fabric : Polyester oxford 600D PVC backing For recovered piping. All around front + back panels. 100%polyester  
Mesh 1 : Polyester mesh 150 For inner pocket. 100% polyester  
Lining : Polyester 210D PU backing - 75 On inside.  
100%polyester  
Material 2 : PVC quality On corner protectors, on bottom part of front panel. 100%Polyvinyl chloride  
Material 6 : Rubber quality For top handle. 100%rubber  
Material 3 : Aluminium quality For trolley system.  
100%aluminium  
Material 4 : PP plastic quality For plastic foot + honeycomb to fix it to the trolley end. 100%polypropylene  
Material 5 : ABS plastic quality For honeycomb, on half frame of the case. 100%acrylonitrile butadiene styrene



**FABRIC CONSTRUCTION AND FINISHING :**

Polyester Twisted 600D HD PU backing

**ARTICLE WEIGHT :**

2200 gr/pc

DESCRIPTION		COLORS	PANTONE SERIGRAPHIE
<b>Français :</b> Trolley cabine KIMOOD JAP <b>English :</b> KIMOOD JAP Cabine size trolley <b>Nederlands :</b> KIMOOD JAP Cabine size trolley <b>Deutsch :</b> Flugzeugkabinentauglicher trolley aus der JAP-Kollektion <b>Español :</b> Maleta KIMOOD JAP <b>Italiano :</b> KIMOOD JAP trolley da cabina <b>Português :</b> Trolley tamanho cabine		Dark grey	432C
		Dark titanium	Black 3C
		Navy	296C
MEASUREMENT			
Description	U		
<b>H04</b> Hauteur coté / Side length	55		
<b>W51</b> Total width	34		
<b>O33</b> Deep of bottom part	20		
PACKING			
Box	2 pcs / box U => L:36cm W:32cm H:58cm GW:5,4Kg NW:4,4Kg		