

REFERENCE : KI0415

SIZES : U

COMPOSITION :

Main fabric : Cotton canvas 340 100%cotton

Fabric 2 : Faux leather nappa PVC As contrast fabric for belts closing on body bag + shoulder belt. 100%PVC

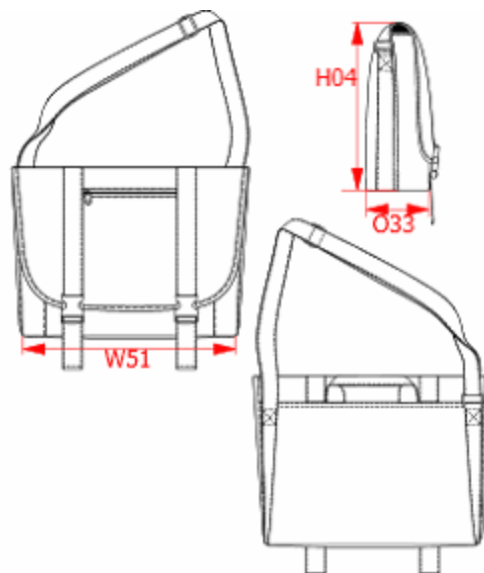
Lining : Polyester 210D PU backing - 75 As lining, on back side of flap panel. 100%polyester

FABRIC CONSTRUCTION AND FINISHING :

Washed canvas for vintage look

ARTICLE WEIGHT :

520 gr/pc



DESCRIPTION		COLORS	PANTONE SERIGRAPHIE
Français : Sac messenger English : Messenger bag Nederlands : Messenger bag Deutsch : Messenger Tasche Español : Bolsa messenger Italiano : Borsa messenger Português : Mala messenger		Vintage Kaki	2327C
		Black	Black
MEASUREMENT			
Description	U		
W51 Total width	40		
H04 Hauteur coté / Side length	32		
O33 Deep of bottom part	12		
PACKING			
Box	30 pcs / box U => L:49cm W:40cm H:52cm GW:16,6kg NW:15,6kg		