

**REFERENCE :** KI0307

**SIZES :** U

**COMPOSITION :**

Main fabric : Polyester 300D PU backing 100%polyester

Lining 1 : EPA foam On inside, special foam for cooler bags.

Thickness: 5mm 100%EPA

Lining 2 : Alluminum lining As internal lining for main compartment.

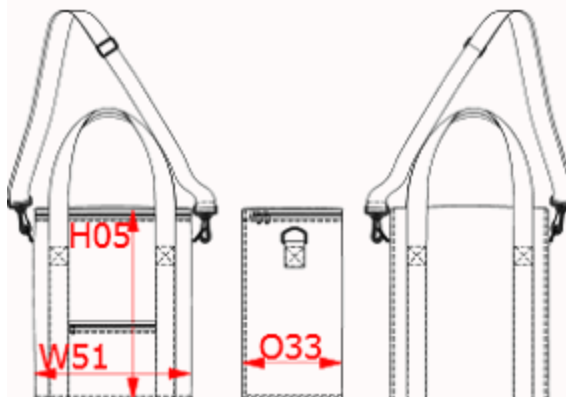
Special for cooler bags. 100%alluminum

**FABRIC CONSTRUCTION AND FINISHING :**

300D PU backing+EPA+PEVA

**ARTICLE WEIGHT :**

550 gr/pc



DESCRIPTION		COLORS	PANTONE SERIGRAPHIE
<b>Français :</b> Sac Isotherme <b>English :</b> Vertical cube cooler bag <b>Nederlands :</b> Vertical cube cooler bag <b>Deutsch :</b> Grobe Kühltasche <b>Español :</b> Bolsa nevera <b>Italiano :</b> Borsa termica <b>Português :</b> Saco térmico grande		Royal blue	287C
MEASUREMENT			
Description	U		
H05 Hauteur totale / Total height	36		
W51 Total width	30		
O33 Deep of bottom part	19		
PACKING			
Box	20 pcs / box U => L:66cm W:39cm H:50cm GW:12kg NW:11kg		