

REFERENCE : KI0110

SIZES : U

COMPOSITION :

Main fabric : Polyester ripstop 190T Acrilic backing

100%polyester

Fabric : Honeycomb Polyester PU backing As contrast fabric.

100%polyester

Lining : Polyester 210D PU backing As internal lining. 100%

polyester

Mesh : Polyester mesh 150 As contrast fabric on lateral

pockets. 100% polyester

Mesh 1 : Polyester puffy mesh As contrast fabric, on back panel

+ back side of shoulder straps + back side of waist band. 100%

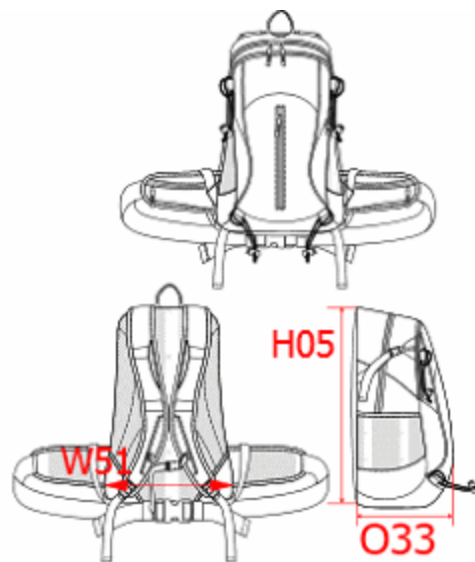
Polyester

FABRIC CONSTRUCTION AND FINISHING :

Polyester Ripstop 190T Acrilic backing

ARTICLE WEIGHT :

410 gr/pc



DESCRIPTION		COLORS	PANTONE SERIGRAPHIE
Français : Sac à dos multisports		Black / Slate grey	Black / 424C
English : Multi use backpack		Burnt lime / Slate grey	583C / 424C
Nederlands : Multi use backpack		Black / Royal blue	Black / 287C
Deutsch : Allround-Rucksack		Red / Dark grey	1795C / 432C
Español : Mochila tiempo libre			
Italiano : Zaino multiuso			
Português : Mochila			
MEASUREMENT			
Description	U		
H05 Hauteur totale / Total height	45		
W51 Total width	29		
O33 Deep of bottom part	25		
PACKING			
Box	20 pcs / box U => L:50cm W:38cm H:52cm GW:9,25Kg NW:8,25Kg		